



# D15JA05A THRU D15JA100A

## Electrical Characteristics

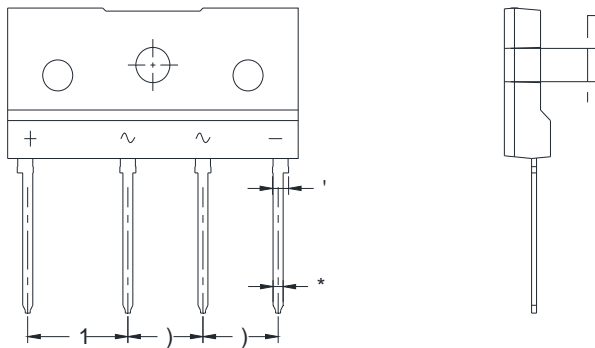
PARAMETER	SYMBOL	UNIT	TEST CONDITIONS	D15JA10A	D15JA20A	D15JA40A	D15JA60A	D15JA80A	D15JA100A	
Maximum instantaneous forward voltage drop per diode	VF	V	IFM 1 + " 5A	1 " 0						
Maximum DC reverse current at rated DC blocking voltage per diode	IR	A	T 25							
			7M -							
7 \ SLFDO MXQFWLRO FDSDFLWDQFH	LRO &M		0HDVXUHG DW 0+] SDQG \$SSOLHG 5HYHUVH 9ROWDJH RI 9 ' &							

## Thermal Characteristics



# D15JA05A THRU D15JA100A

## Outline Dimensions



'LPHQVLRQV LQ PLOOLPHWHUV



# D15JA05A THRU D15JA100A

## Disclaimer

The information presented in this document is for reference only. Yangtze River Electronics Co., Ltd. reserves the right to make changes without notice for the specification of the products displayed herein to improve reliability, function, design or otherwise.

The product listed herein is designed to be used with ordinary electronic equipment or devices and not designed to be used with equipment or devices which require high level of reliability, malfunction of which would directly endanger human life (such as medical instruments, transportation equipment, aerospace machinery, nuclear-reactor controllers, fuel controllers and other safety devices). Yangtze River Electronics or anyone on its behalf assumes no responsibility or liability for any damages resulting from such improper use of sale.

This publication supersedes and replaces all information previously supplied. For additional information, please visit our website <http://www.21yangtze.com> or consult your nearest Yangtze River Electronics sales office for assistance.